

4

3

2

1

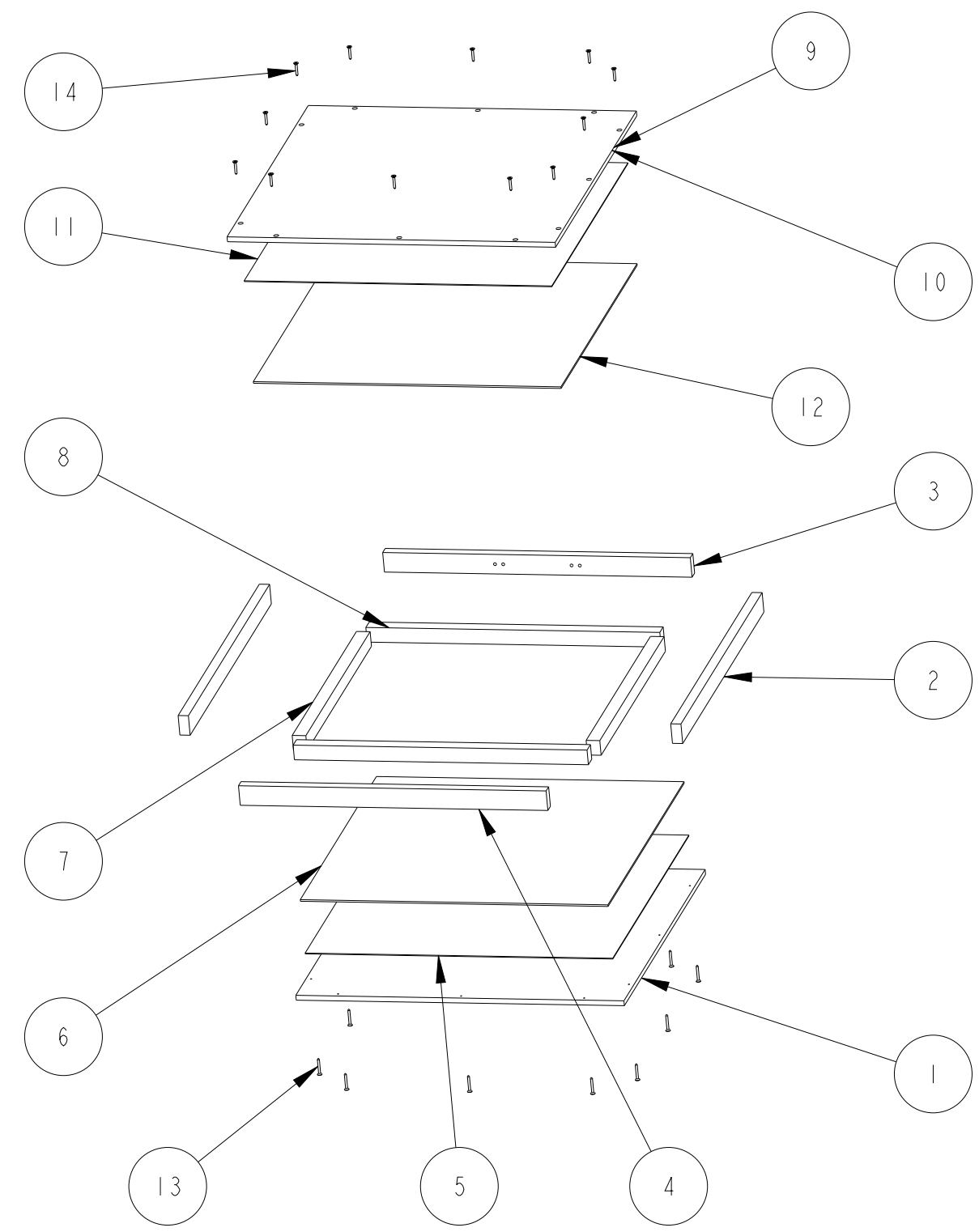
REVISION HISTORY									
REV	ECO NO	ZONE	DESCRIPTION			DRWN	CHKD	ENGR	DATE
A			INITIAL RELEASE						2020

B

B

A

A



14	12	SCREW, CABINET, No6, 1.00"
13	12	SCREW, CABINET, No6, 1.25"
12	1	FOAM, 1/8" CUT TO 22.375" X 22.375"
11	1	FOAM, FLOOR LAMINATE
10	1	PLYWOOD, 24" X 24" X 3/8" LID
9	1	LID, SUB-ASSEMBLY
8	2	FOAM, 1" HORIZONTAL
7	2	FOAM, 1" VERTICAL, SHORT
6	1	FOAM, 1/8", BASE, CUT TO 22.375" X 22.375"
5	1	FOAM, FLOOR LAMINATE
4	1	BOARD, HORIZONTAL, SHORT, 0.75" X 1.5"
3	1	BOARD, TOP, HANDLE SHORT, 0.75" X 1.5"
2	2	BOARD, SIDE, VERT, 0.75" X 1.5"
1	1	PLYWOOD, 24" X 24" 3/8"
ITEM	QTY	DESCRIPTION
PARTS LIST (REFERENCE ONLY)		

PART NO: MWO\_BOX\_150\_ASM\_TOP

UNLESS OTHERWISE SPECIFIED TITLE: **ASSEMBLY, RING BOX**

DO NOT SCALE DRAWING

SIZE: <b>B</b>	THIRD ANGLE PROJECTION	DRAWING NO: <b>MWO_BOX_</b>	REV:
		SCALE: 1:1	SHEET: 1 OF 6

4

3

2

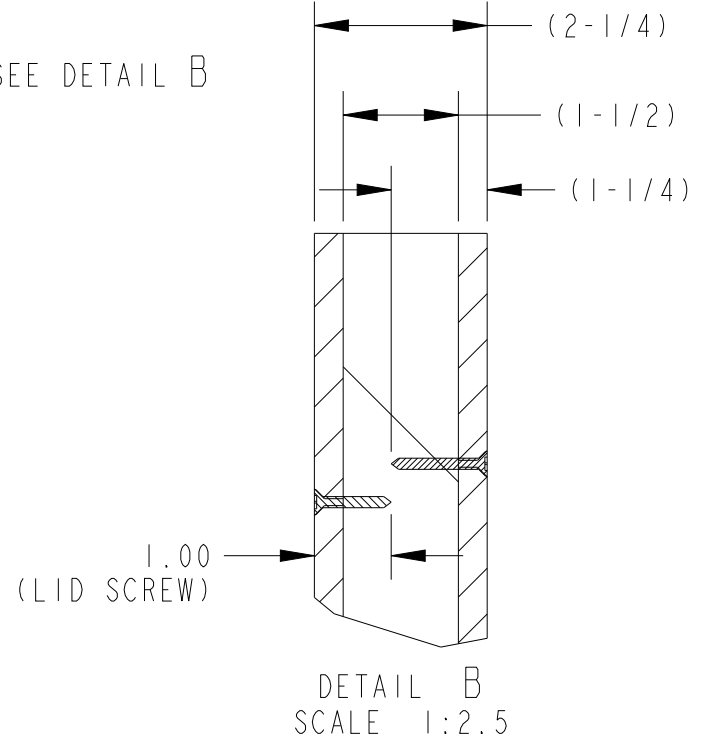
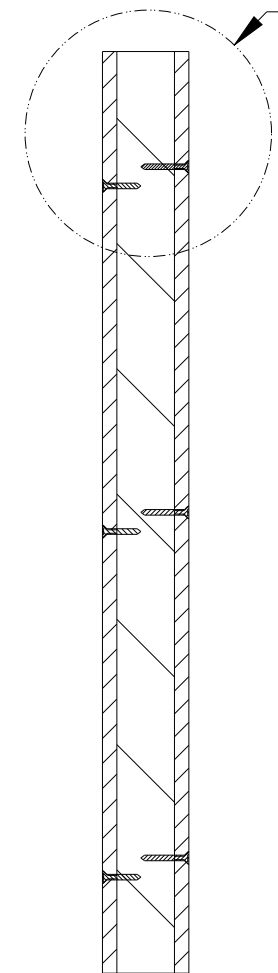
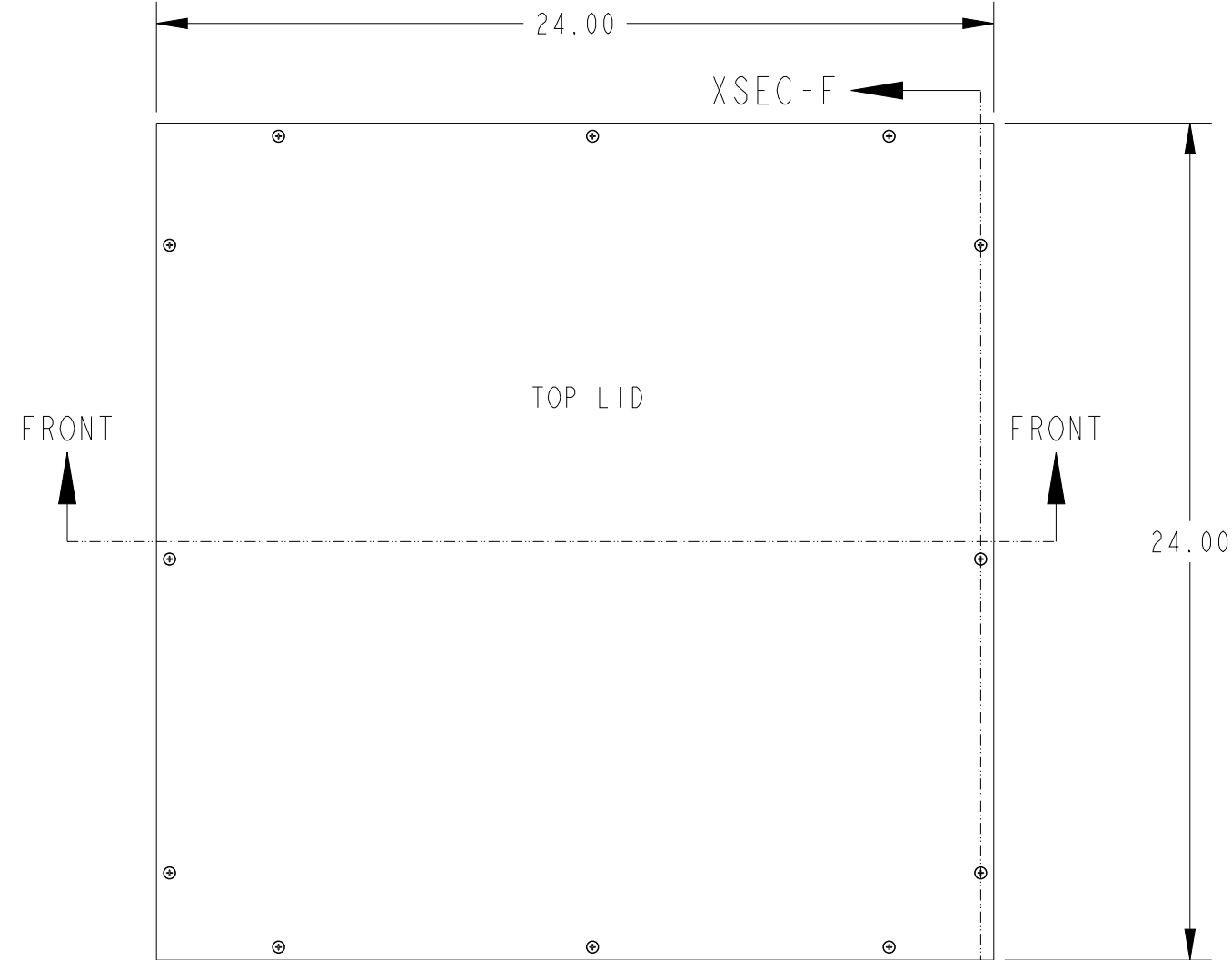
1

4

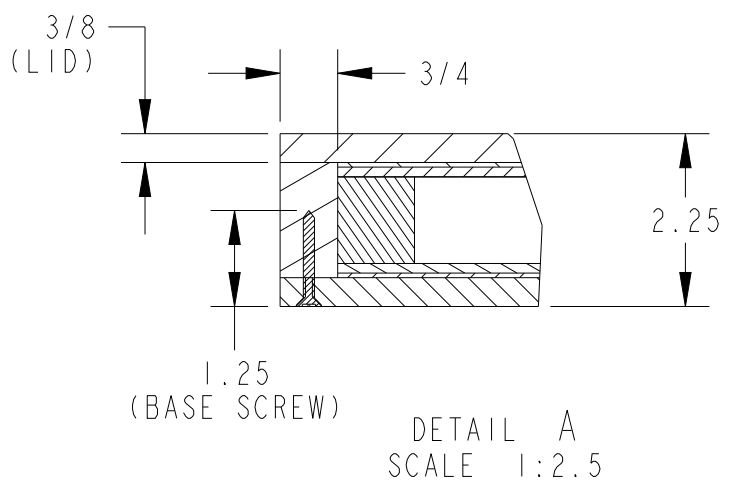
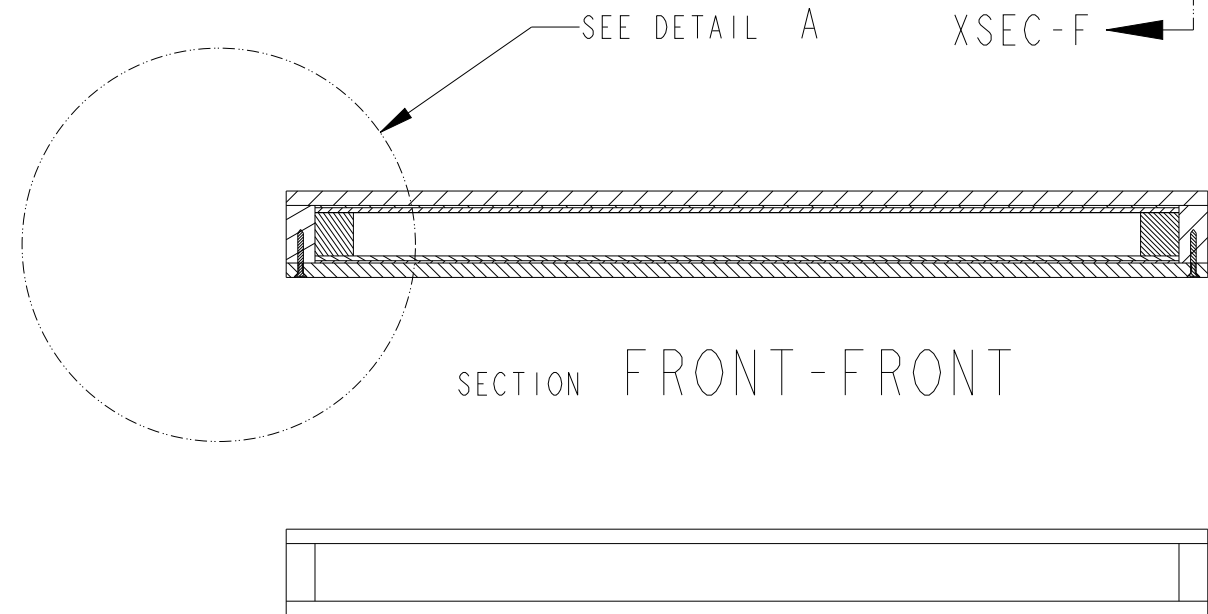
3

2

1



SECTION XSEC-F-XSEC-F



DETAIL A SCALE 1:2.5

TITLE: <b>ASSEMBLY, RING BOX</b>			
SIZE: <b>B</b>	THIRD ANGLE PROJECTION 	DRAWING NO: <b>MWO_BOX_</b>	REV: -
SCALE: 1:5		SHEET: 2 OF 6	

4

3

2

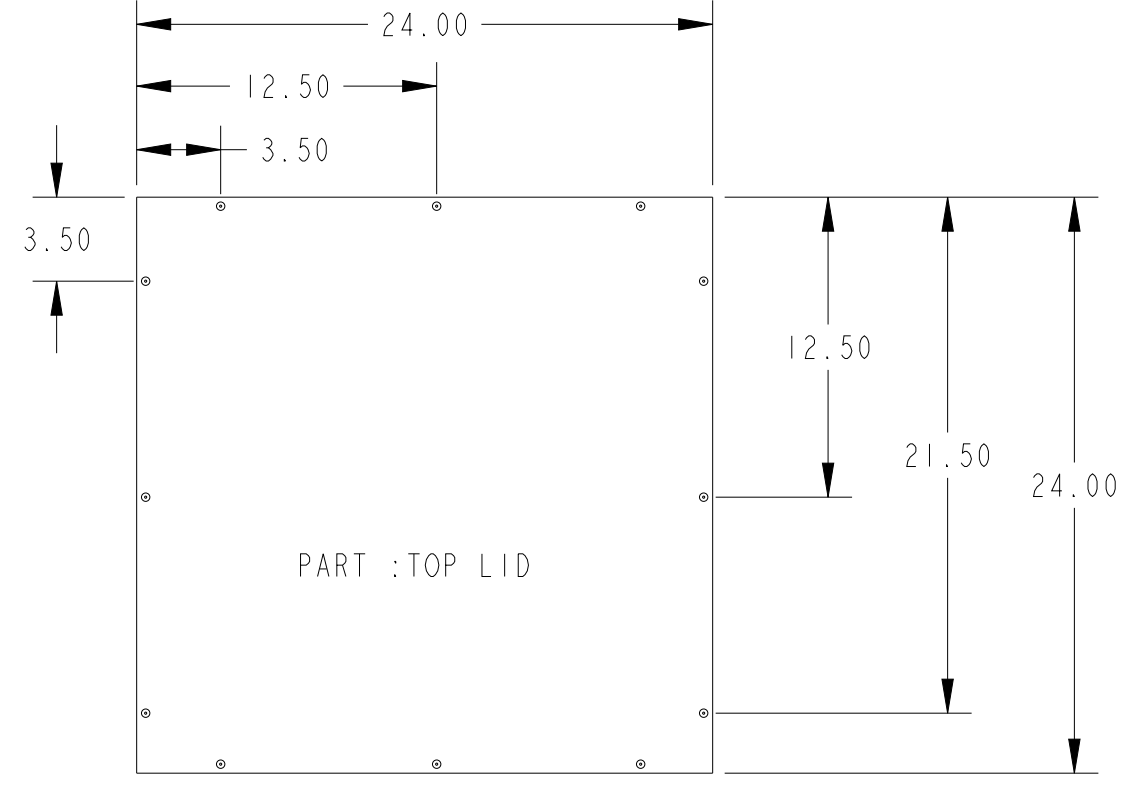
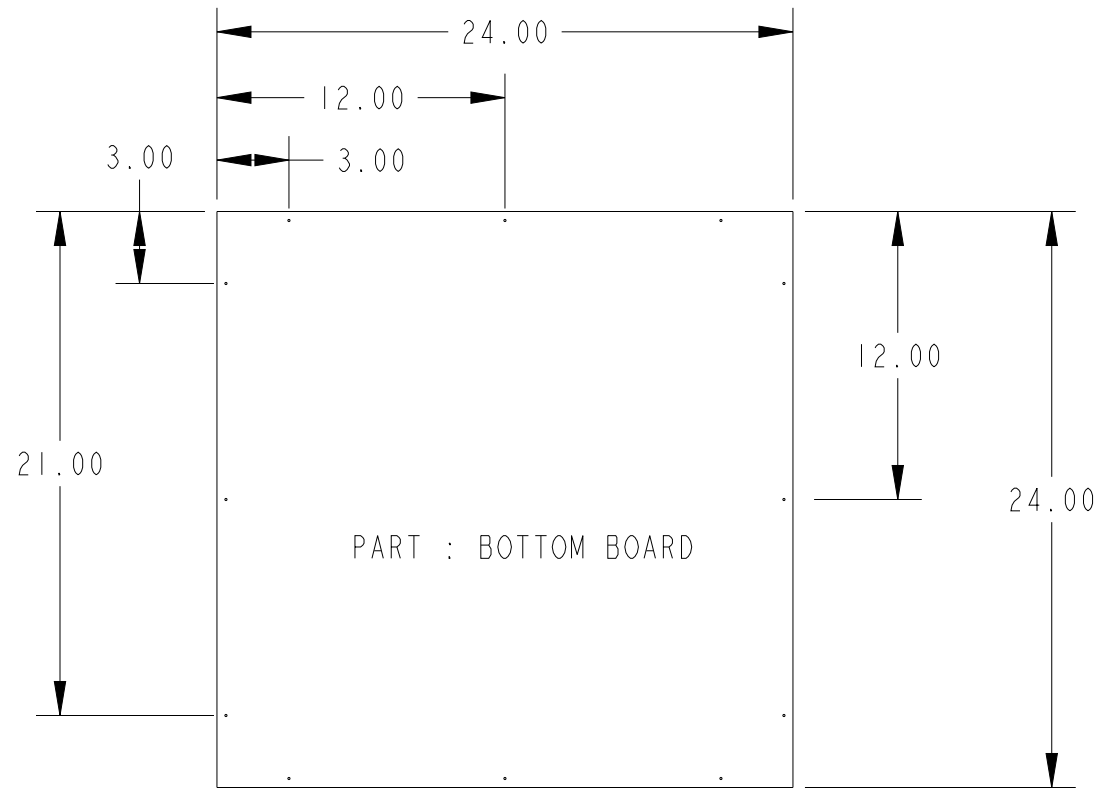
1

4

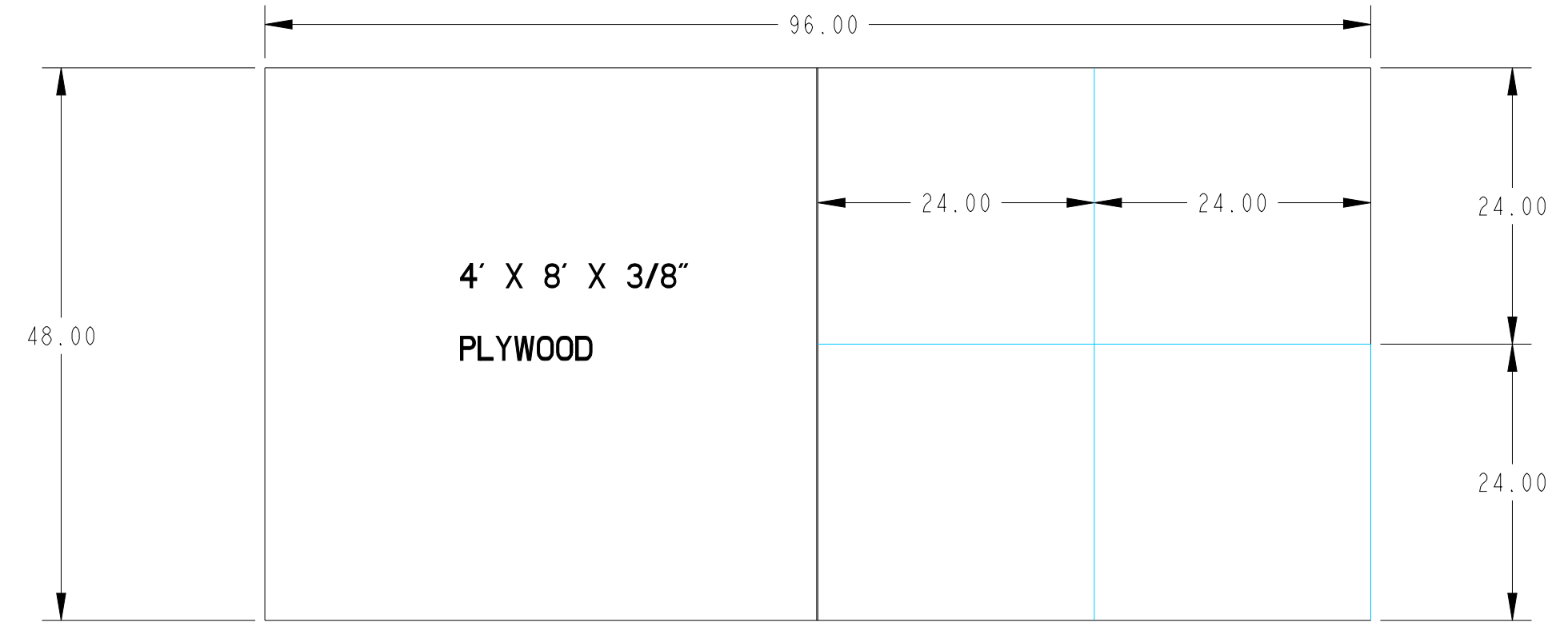
3

2

1



VARNISH INSIDE OF BOX  
LID AND BASE TO ENHANCE  
SPRAY PSA PERFORMANCE WHEN  
APPLYING 1ST LAYER OF FOAM



2 SETS OF BOXES  
CAN BE MADE FROM  
1 SHEET OF PLYWOOD

TITLE: <b>PLYWOOD, 24" X 24" 3/8"</b>			
SIZE: <b>B</b>	THIRD ANGLE PROJECTION 	DRAWING NO: <b>MWO_BOX_</b>	REV: -
SCALE: 1:8		SHEET: 3 OF 6	

4

3

2

1

4

3

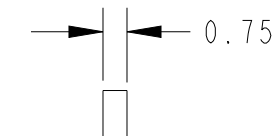
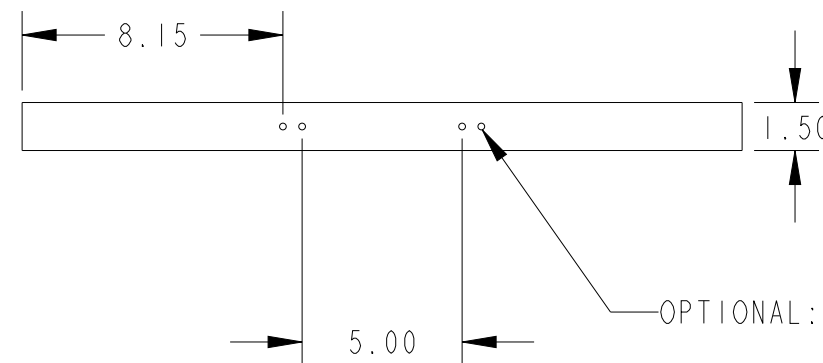
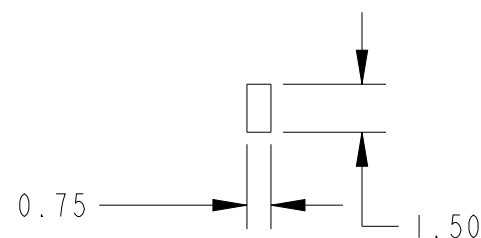
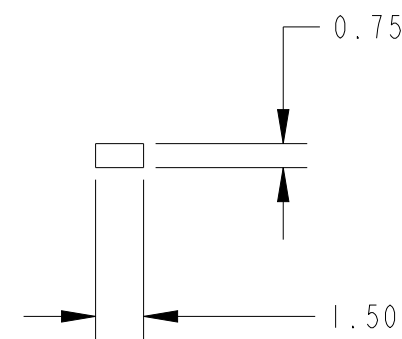
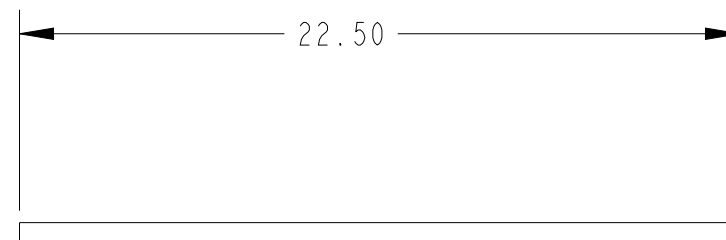
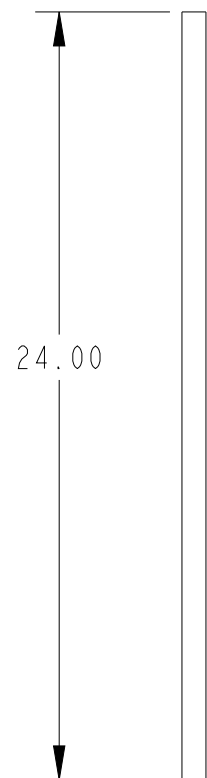
2

1

NEED 93" LINEAR INCHES OF 0.75" X 1.50" BOARD TO MAKE ONE BOX  
 NEED 186" LINEAR INCHES OF 0.75" X 1.50" BOARD TO MAKE TWO BOXES  
 (186" = 15' FEET 6" IN)

QTY : 2  
 (PER BOX)

QTY : 2  
 (PER BOX)



OPTIONAL: HOLES FOR ROPE HANDLE

TITLE:  
**BOARD, SIDE, VERT,  
 0.75" X 15"**

SIZE: <b>B</b>	THIRD ANGLE PROJECTION 	DRAWING NO: <b>MWO_SIDE</b>	REV: -
SCALE: 1:6		SHEET: 4 OF 6	

4

3

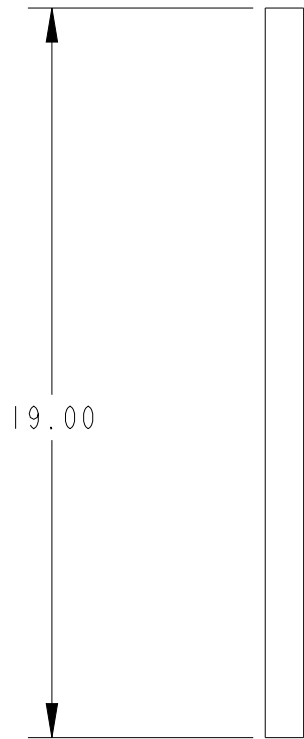
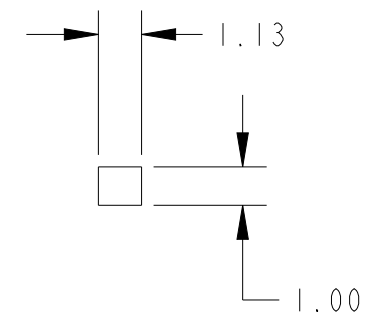
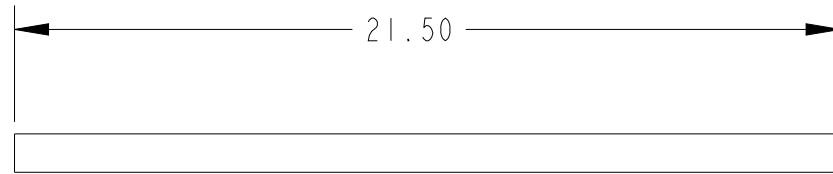
2

1

# FOAM PIECES

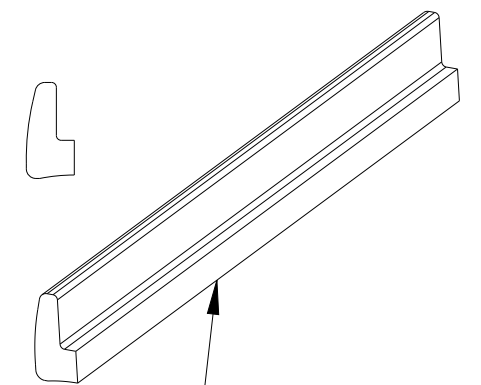
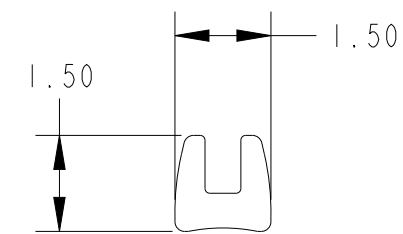
QTY : 2  
(PER BOX)

QTY : 2  
(PER BOX)



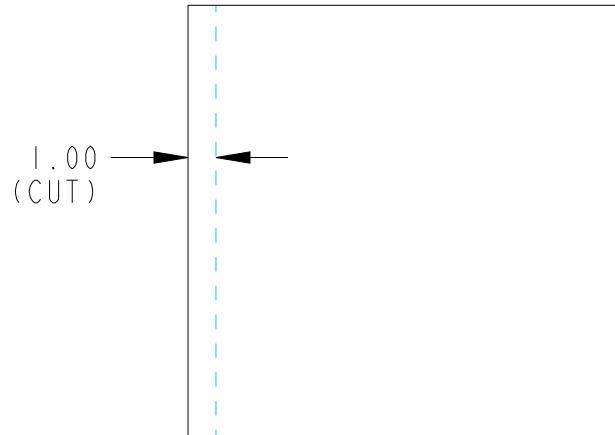
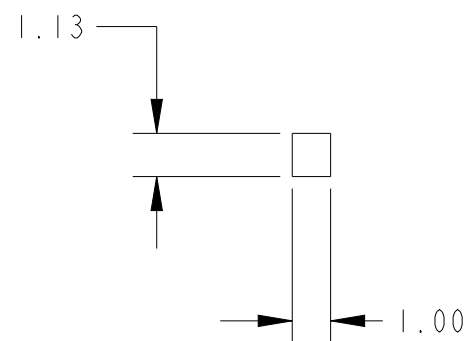
2 SUGGESTED McMASTER FOAM PN'S:

McMASTER CARR : 1861N11 U-CHANNEL FOAM  
1.50" X 1.50" 6FT LENGTH



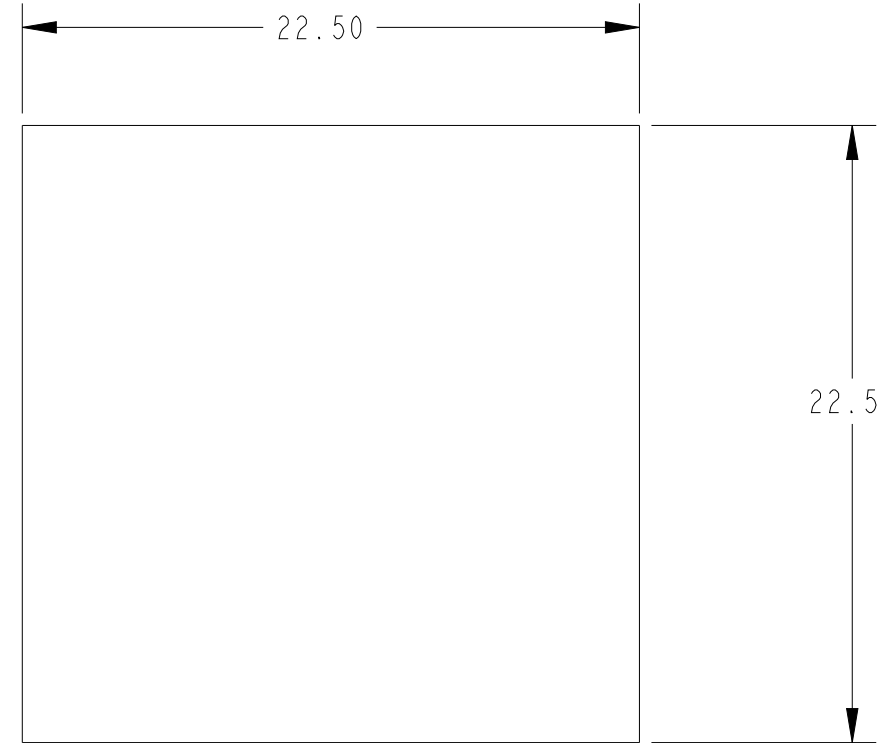
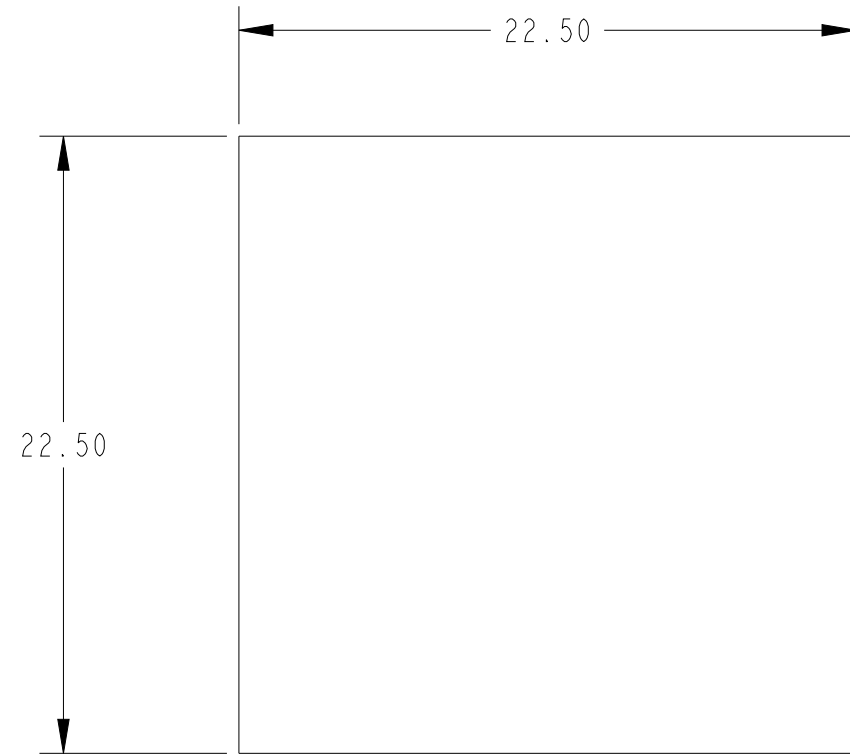
CUT U-CHANNEL IN HALF  
TO FIT INSIDE OF BOX

McMASTER CARR : 8643K465  
12" X 12" X 1" POLYURETHANE FOAM  
(CUT TO 1" WIDE STRIP)



TITLE: <b>FOAM, 1" VERTICAL, SHORT</b>			
SIZE: <b>B</b>	THIRD ANGLE PROJECTION	DRAWING NO: <b>MWO_SIDE</b>	REV: -
SCALE: 1:5		SHEET: 5 OF 6	

# FOAM PIECES



LAMINATE FLOOR FOAM  
(EX: HOME DEPOT)

McMASTER CARR PN: 8722K7  
SUPER CUSHIONING FOAM  
24" X 24" X 0.125" WHITE



TITLE: <b>FOAM, 1/8"</b> <b>FLOOR LAMINATE 0.060"</b>			
SIZE: <b>B</b>	THIRD ANGLE PROJECTION 	DRAWING NO: <b>MWO_FOAM</b>	REV: -
SCALE: 1:7		SHEET: 6 OF 6	

4

3

2

1

4

3

2

1

B

B

A

A

